

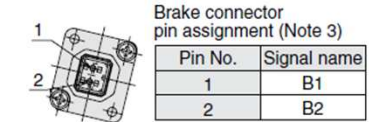
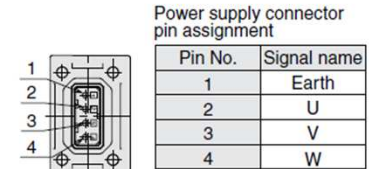
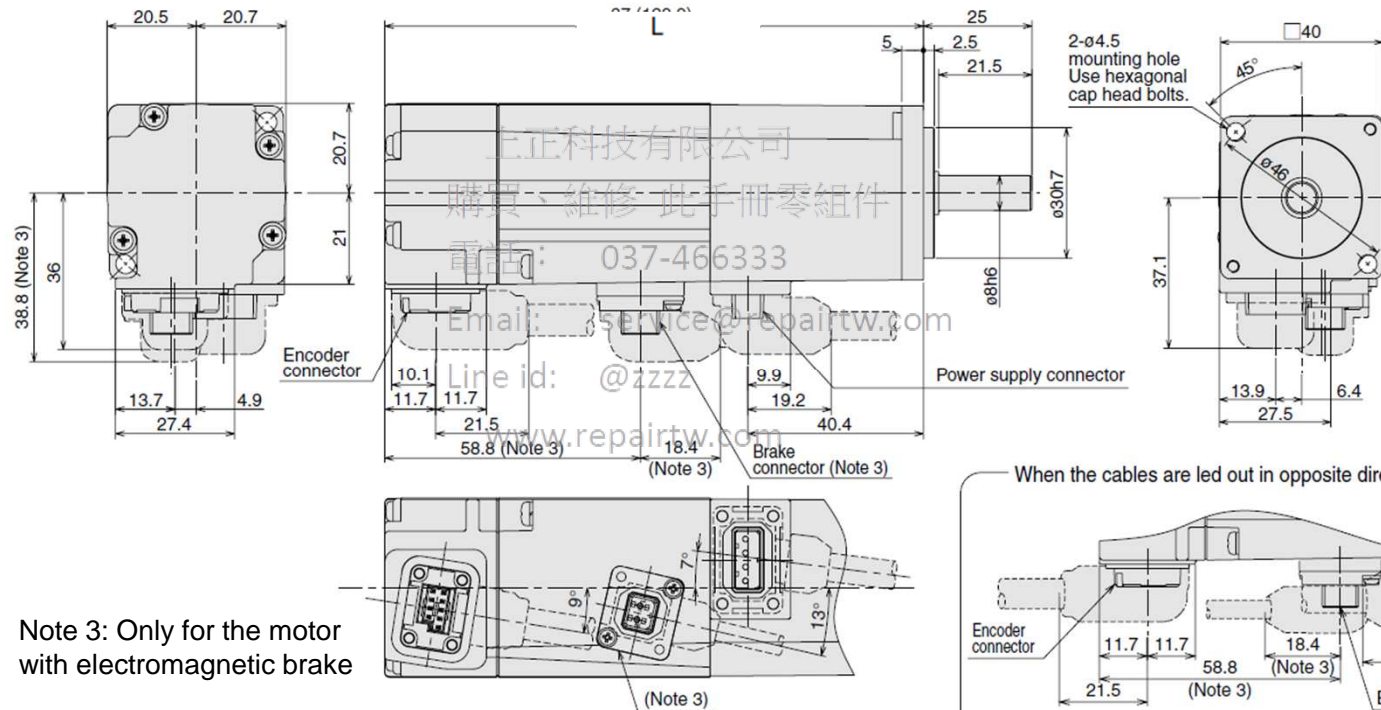
HF-KE/HF-KN and HF-SE/HF-SN

上正科技有限公司
購買、維修 此系列零件
電話： 037-466333

comparison

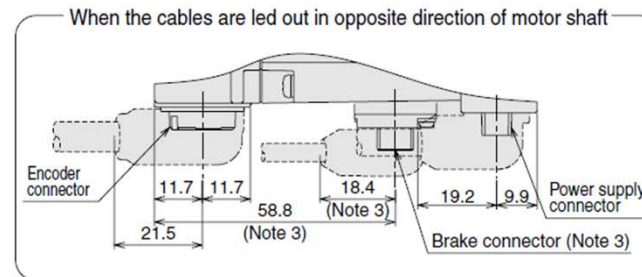


100W Motor (Brake)



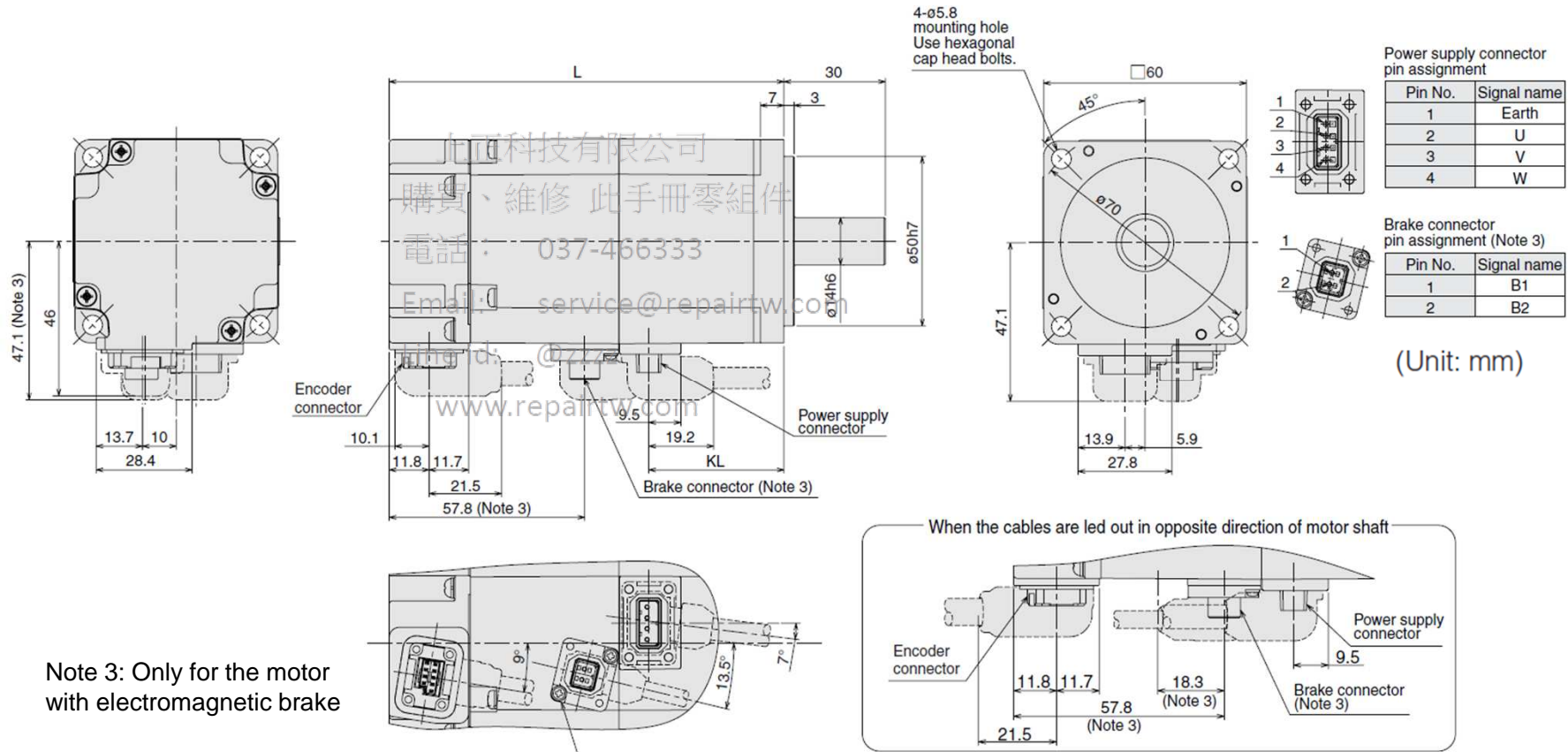
(Unit: mm)

Note 3: Only for the motor with electromagnetic brake



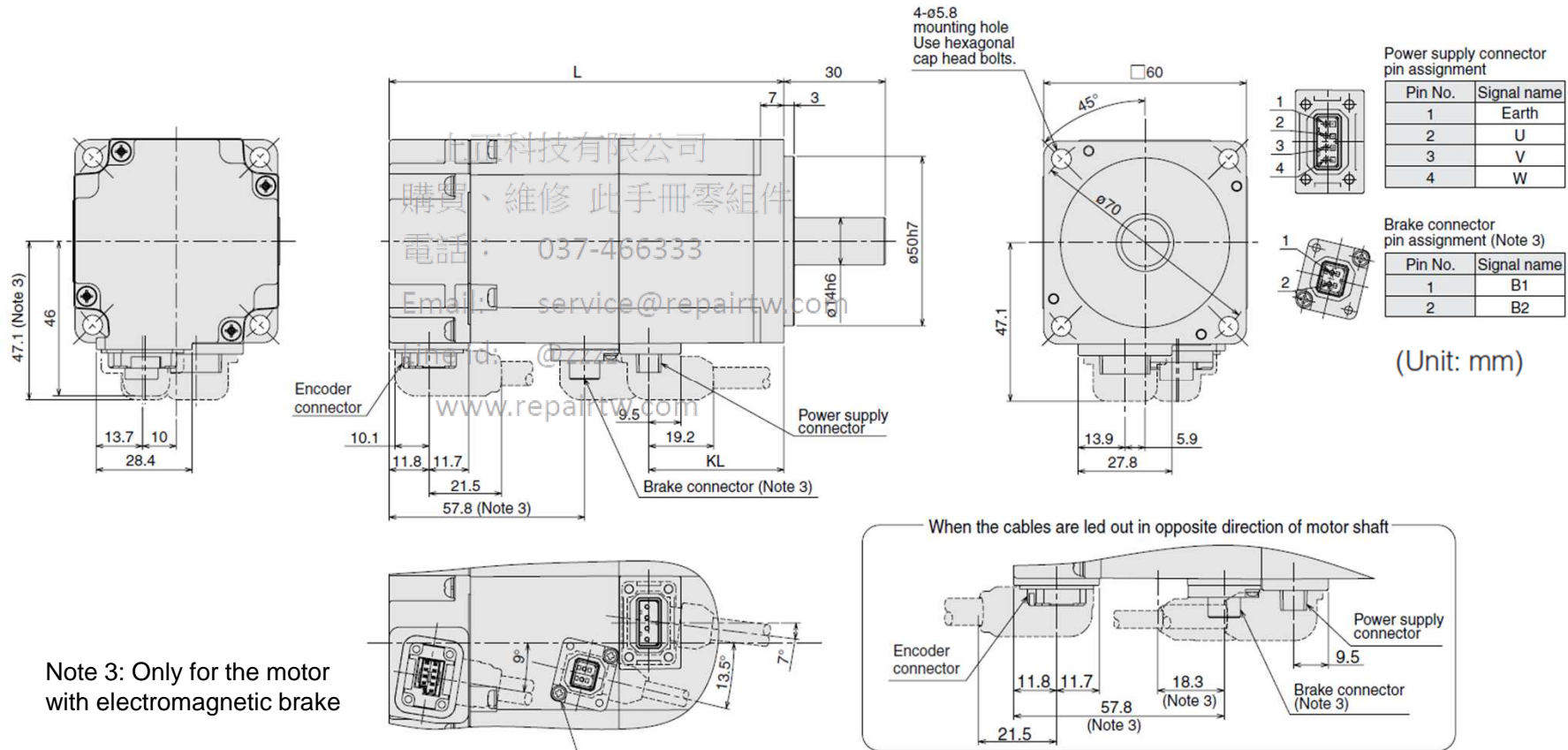
Motor	Art.No.	Dimension L
HF-KE13W1-S100	210940	82.4
HF-KE13BW1-S100	210944	123.5
HF-KN13	239797	87
HF-KN13B	239801	123.9

200W Motor (Brake)



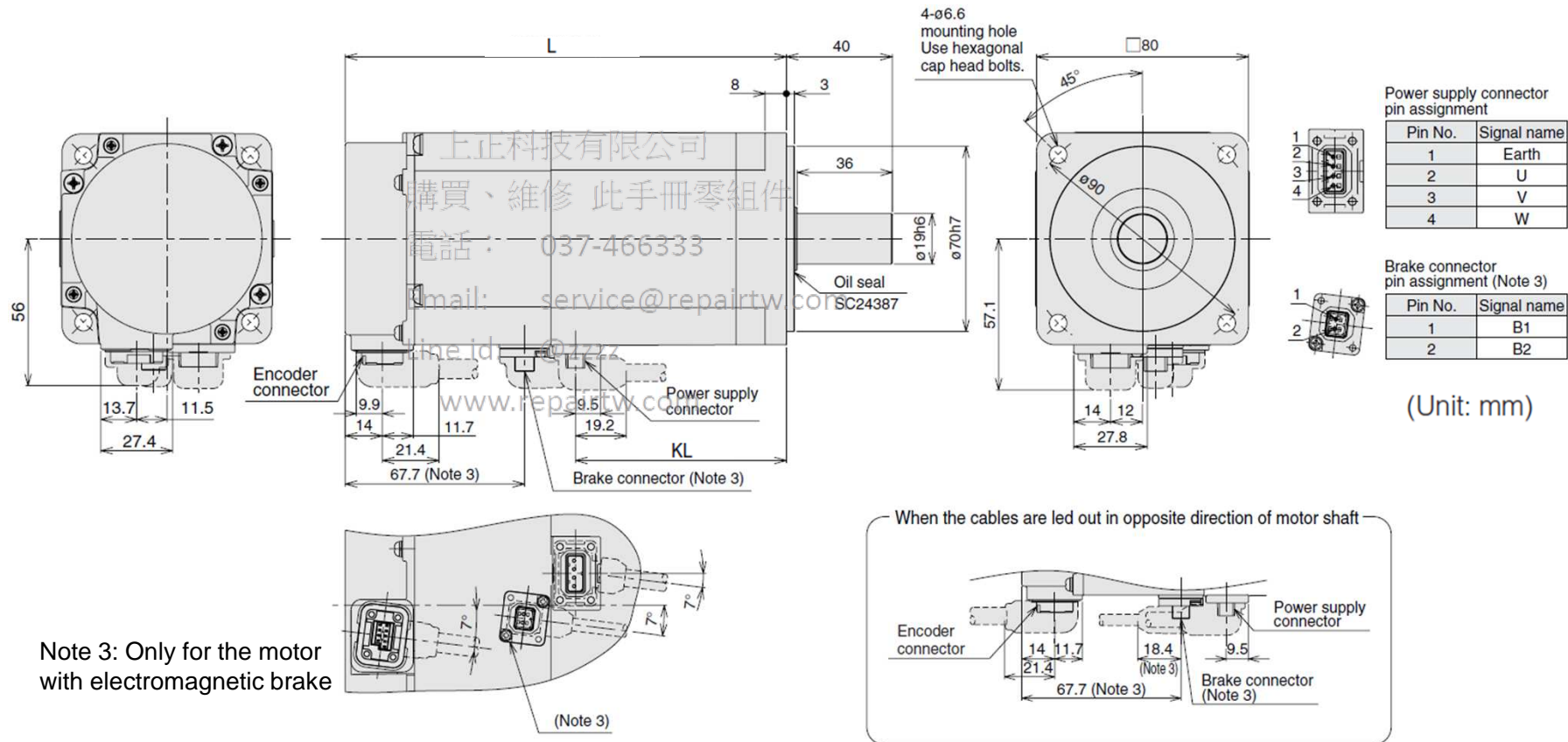
Motor	Art.No.	Dimension L	Dimension KL
HF-KE23KW1-S100	213081	76.6	39.3
HF-KE23BKW1-S100	212088	116.1	39.3
HF-KN23K	253946	88.2	40
HF-KN23BK	253949	116.8	40

400W Motor (Brake)



Motor	Art.No.	Dimension L	Dimension KL
HF-KE43KW1-S100	213082	98.5	61.2
HF-KE43BKW1-S100	212089	138	61.2
HF-KN43K	253947	110.2	62
HF-KN43BK	253950	138.8	62

700W Motor (Brake)

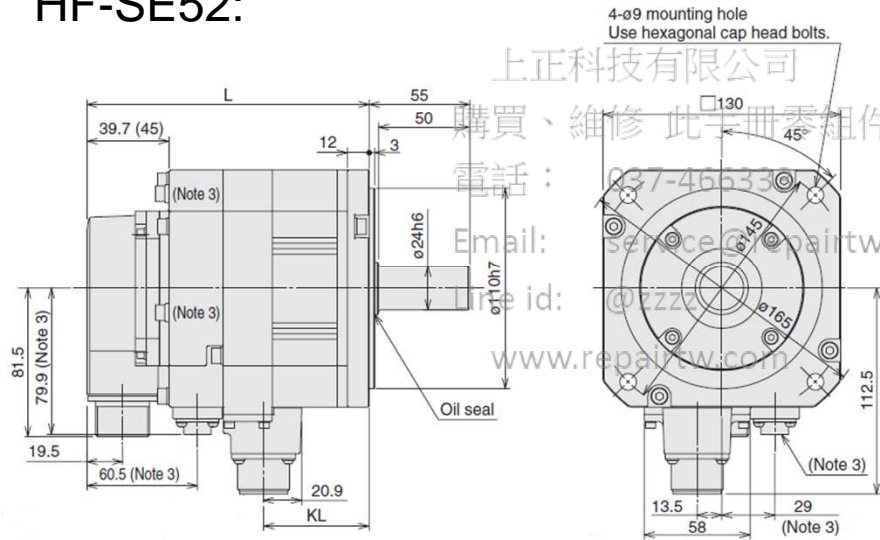


Motor	Art.No.	Dimension L	Dimension KL
HF-KE73KW1-S100	213083	113.8	72.3
HF-KE73BKW1-S100	212090	157	72.3
HF-KN73JK	253948	133.9	79.6
HF-KN73BJK	253951	166.5	79.6

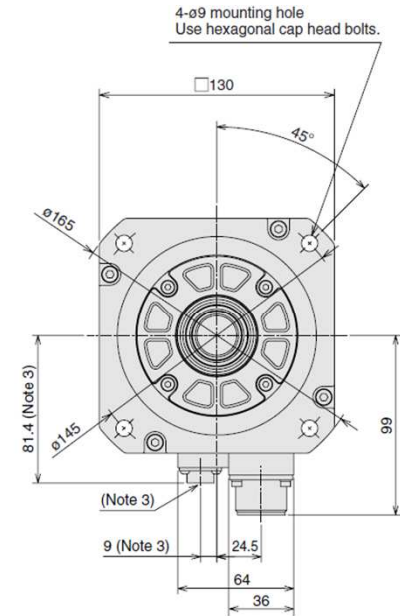
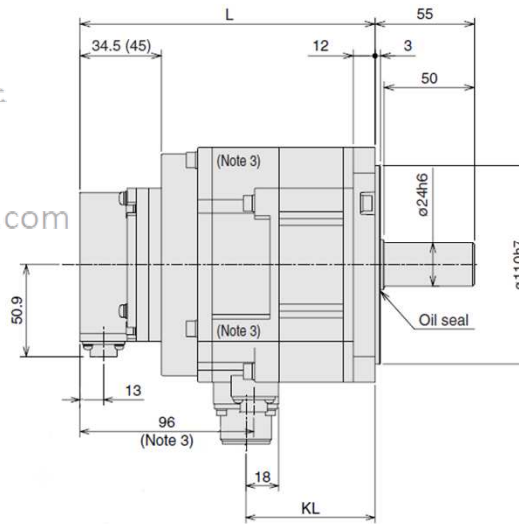
Note: HF-KE73 motor has no oil seal

500W Motor (Brake)

HF-SE52:



HF-SN52:



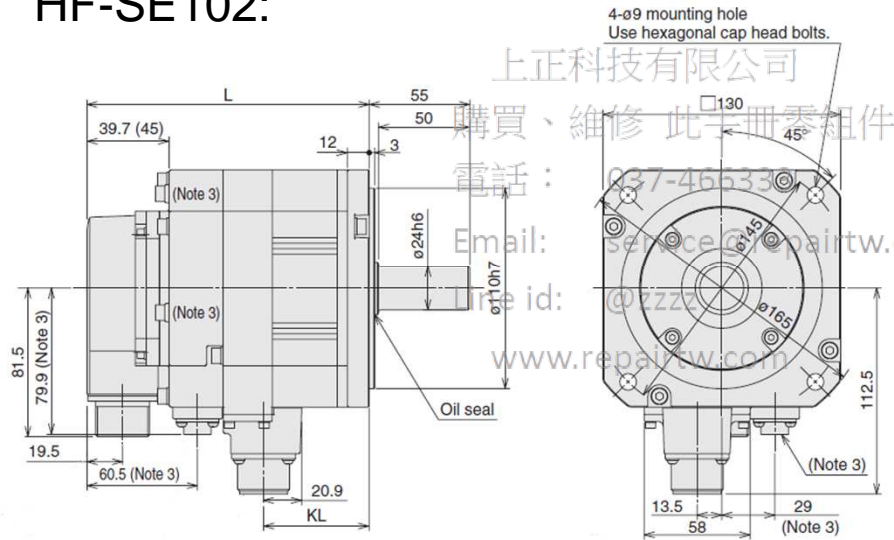
Note 3: Only for the motor with electromagnetic brake

(Unit: mm)

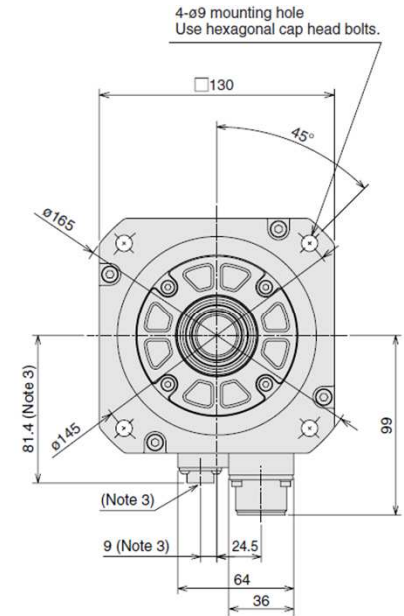
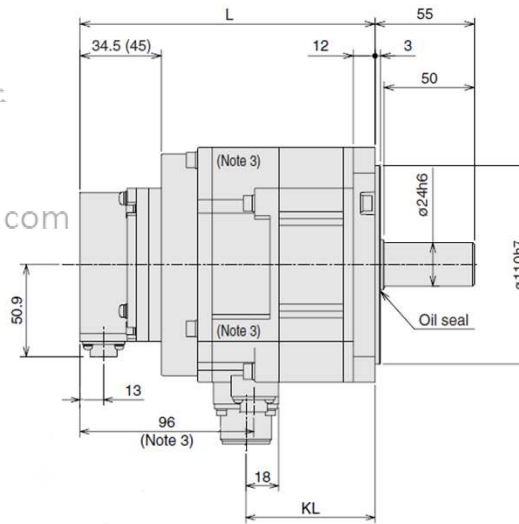
Motor	Art.No.	Dimension L	Dimension KL
HF-SE52KW1-S100	213084	120	57.8
HF-SE52BKW1-S100	213091	154.5	57.8
HF-SN52JK	253952	125	71.3
HF-SN52BJK	253966	163	71.3

1kW Motor (Brake)

HF-SE102:



HF-SN102:



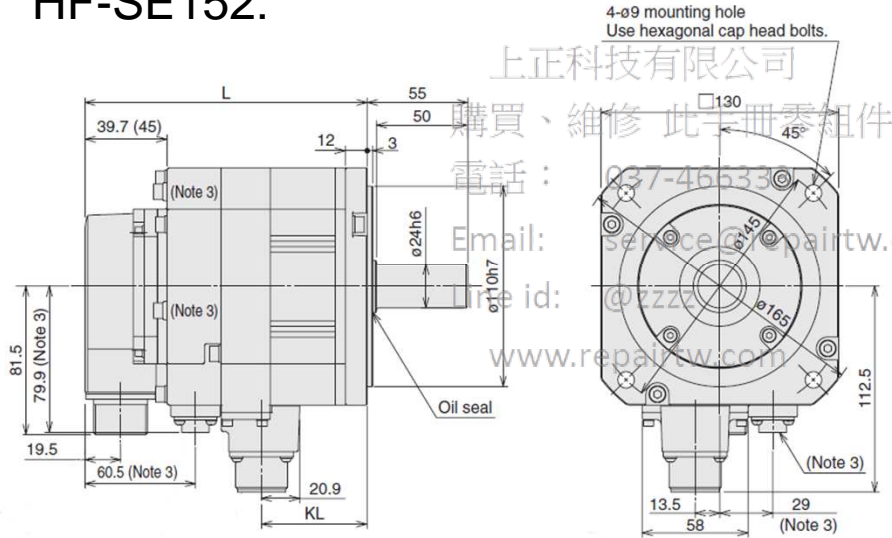
Note 3: Only for the motor with electromagnetic brake

(Unit: mm)

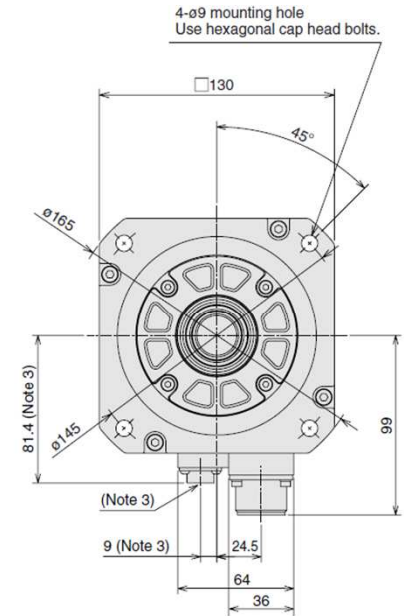
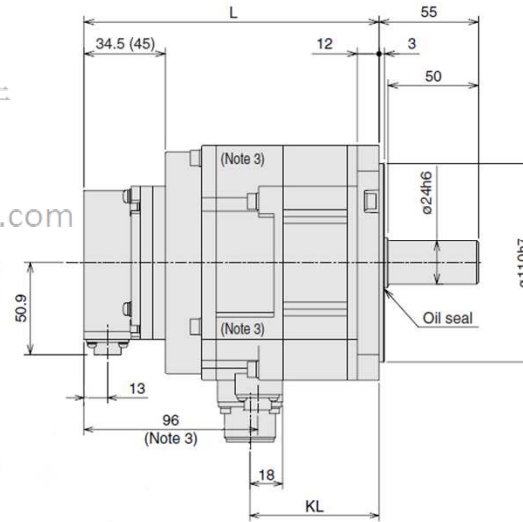
Motor	Art.No.	Dimension L	Dimension KL
HF-SE102KW1-S100	213085	142	79.8
HF-SE102BKW1-S100	213092	176.5	79.8
HF-SN102JK	253953	141	87.3
HF-SN102BJK	253967	179	87.3

1.5kW Motor (Brake)

HF-SE152:



HF-SN152:



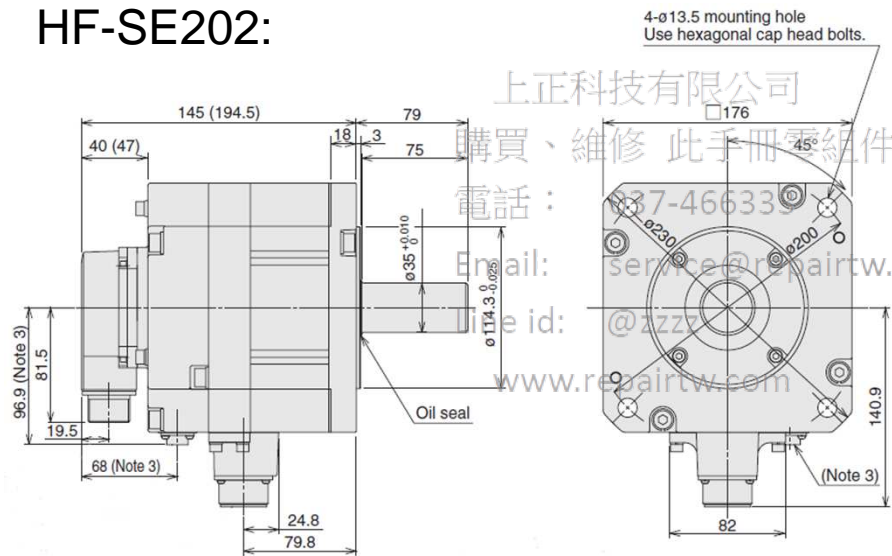
Note 3: Only for the motor with electromagnetic brake

(Unit: mm)

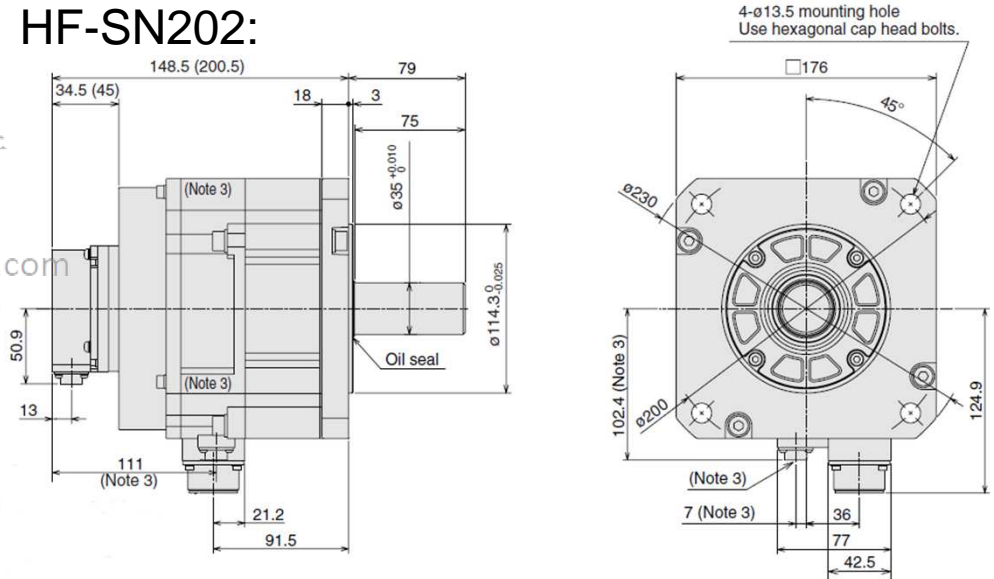
Motor	Art.No.	Dimension L	Dimension KL
HF-SE152KW1-S100	213086	164	101.8
HF-SE152BKW1-S100	213093	198.5	101.8
HF-SN152JK	253954	163	109.3
HF-SN152BJK	253968	201	109.3

2kW Motor (Brake)

HF-SE202:



HF-SN202:



Note 3: Only for the motor with electromagnetic brake

(Unit: mm)

Motor	Art.No.	Dimension L	Dimension KL
HF-SE202KW1-S100	213087	145	79.8
HF-SE202BKW1-S100	212094	194.5	79.8
HF-SN202JK	253965	148.5	91.5
HF-SN202BJK	253967	200.5	91.5

- HF-KE -> HF-KN:
 - Power cable: same cable for HF-KE and HF-KN motor
 - Brake cable: same cable for HF-KE and HF-KN motor
 - Encoder cable: same cable for HF-KE and HF-KN motor

- HF-SE -> HF-SN:
 - Power cable: same cable for HF-KE and HF-KN motor
 - Brake cable: same cable for HF-KE and HF-KN motor
 - Encoder cable: cable for HF-SE and HF-SN motor is different

Encoder cable for HF-SE motor		Encoder cable for HF-SN motor
MR-ESCBLM_M-L	->	MR-J3ENSCBLM_M-L
MR-ESCBLM_M-H	->	MR-J3ENSCBLM_M-H
MR-ENECBLM_M-H	->	MR-J3ENSCBLM_M-H
MR-ECNS	->	MR-J3SCNS
MR-ENECNS	->	MR-J3SCNS

Note: The encoder cables for HF-SN motors are the same cables which are used for the MR-J3/J4 based motors like HF-SP, HF-JP, HG-SR